



PRODUCT INFORMATION S901-UBau-VS-KL_TY_EN - 24.05.2023 - www.vs-furniture.com

Serie 901 Supporting sideboards (small).

Construction of an glued carcass out of melamine-resin-coated chipboard. Sideboards for fixed table heights or continuously adjustable in height by means of a winding handle.

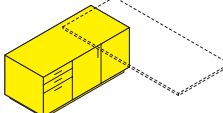
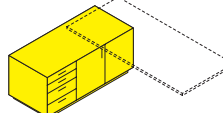

Front and body of melamine-resin laminated or veneered chipboard and metal bow handles.

Drawers with central locking. Drawers with either single or over-extension, 6.5 HU (height units) drawers always with over-extension.

Technical compartment (1-part) with folding/sliding door at the front. When heat-producing equipment is used, the sideboard must be fitted with a perforated-metal back for ventilation purposes. The two table posts integrated in the body minimise the storage space of the technical compartment.

Electrification (optional) at the rear with fold-down perforated-metal back (see above). Cable outlet through holes with metal inserts.

The following material groups are available: Body made of chipboard: L6; Front made of chipboard: L3; Front veneered: F1.

								
Sideboard (small)		21664	21665	21666	21666	21691		
w-h-d		134-57-60						
HE		1,5+2+6,5/10		1,5+2+3+3,5/10				
Position on the table		left	right	left	right			
Table height		72 (68-88)						
Office accessories		Set 1			Set 11			