



**PRODUCT INFORMATION** S901-Frei1Pla-SVVS\_TY\_EN - 05.12.2016 - [www.vs-furniture.com](http://www.vs-furniture.com)

## Serie 901

### Freely-shaped table I with post with V-shaped foot, sideboard.

Construction with a centrally-positioned tubular-steel cross-member with welded-on brackets.

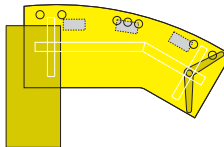
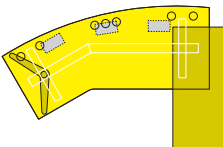
Table top of a LIGNOpal (melamine-resin), veneered or linoleum covered chipboard with plastic or wooden edges. The corners are either square or rounded.

Electrification (optional) is provided 1.) by means of push-on plastic cable clips or 2.) in the side segment by a fabric trough which is hinged on both sides.

Cable outlets (optional) are achieved 1.) through a maximum of 4 metal outlets or 2.) by means of an E-Box for power and data connections, in each case on the left, in the middle and on the right.

Supporting element (refer to table for position) consists of a post with V-shaped foot of powder-coated steel and a docking position for a sideboard. Optional step height adjustment of the post.

The following material groups are available to choose from: Frame made of steel tube: M2; Top made of LIGNOpal-plastic/beechn: L6; Top made of linoleum: L8; Top veneered: F1.

...-SVVS ...-VSSV			
L: Supporting post with V-shaped foot R: prepared for sideboard	d = 90 / 80		21567
L: prepared for sideboard R: Supporting post with V-shaped foot	d = 80 / 90		21566
	Monitor position	on the left / on the right	
	h =	72 (68-80)	
	w =	229	