



PRODUCT INFORMATION S901-HaRundPla-STVS_TY_EN - 05.12.2016 - www.vs-furniture.com

Serie 901 Half-round table with post with disc foot, sideboard.

Construction with a centrally-positioned tubular-steel cross-member with welded-on brackets.

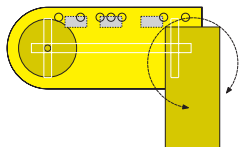
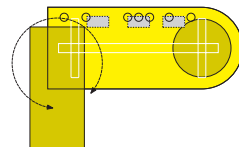
Table top of a LIGNOpal (melamine-resin), veneered or linoleum covered chipboard with plastic or wooden edges. The corners are either square or rounded. Optional sliding top.

Electrification (optional) is provided 1.) by means of push-on plastic cable clips or 2.) by a fabric trough which is hinged on both sides.

Cable outlets (optional) are achieved 1.) through a maximum of 4 metal outlets or 2.) by means of an E-Box for power and data connections, in each case on the left, in the middle and on the right.

Supporting element (refer to table for position) consists of a post of powder-coated steel with disc foot (stainless-steel cover) and a docking position for a sideboard. Optional step height adjustment of the post.

The following material groups are available to choose from: Frame made of steel tube: M2; Top made of LIGNOpal-plastic/beechn: L6; Top made of linoleum: L8; Top veneered: F1.

...-STVS ...-VSST					
L: Supporting post with disc foot	d = 90	21560			
R: prepared for sideboard	d = 100		21562		
L: prepared for sideboard	d = 90			21561	
R: Supporting post with disc foot	d = 100				21563
	Monitor position	on the left / on the right			
	h =	72 (68-80)			
	w =	215	240	215	240