



PRODUCT INFORMATION S901-SinusPla-SVVC_TY_EN - 05.12.2016 - www.vs-furniture.com

Serie 901 Sinusoidal table with post with V-shaped foot, free-standing pedestal.

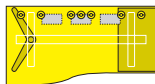
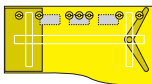
Construction with a tubular-steel cross-member positioned parallel to the back edge with welded-on brackets. Table top of a LIGNOpal (melamine-resin), veneered or linoleum covered chipboard with plastic or wooden edges. The corners are either square or rounded. Optional sliding top.

Electrification (optional) is provided 1.) by means of push-on plastic cable clips or 2.) by a fabric trough which is hinged on both sides.

Cable outlets (optional) are achieved 1.) through a maximum of 4 metal outlets or 2.) by means of an E-Box for power and data connections, in each case on the left, in the middle and on the right.

Supporting element (refer to table for position) consists of a post with V-shaped foot of powder-coated steel and a docking position for a free-standing pedestal.

The following material groups are available to choose from: Frame made of steel tube: M2; Top made of LIGNOpal-plastic/beechn: L6; Top made of linoleum: L8; Top veneered: F1.

| | | | |
|---|--|--|---|
| ...-SVVC ...-VCSV | The table heights printed light grey are not possible with the listed supporting elements. |  |  |
| L: Supporting post with V-shaped foot R: prepared for free-standing pedestal | d = 85 / 70 d = 95 / 80 | 21550 21554 | |
| L: prepared for free-standing pedestal R: Supporting post with V-shaped foot | d = 85 / 70 d = 95 / 80 | | 21551 21555 |
| | Monitor position | on the left | on the right |
| | h = | 72 (-) | |
| | w = | 180 | |