



PRODUCT INFORMATION S901-Frei1Pla-STVC_TY_US - 06.12.2016 - www.vs-furniture.com

Series 901 Freely-shaped table I with post with disc foot, free-standing pedestal.

Construction with a centrally-positioned tubular-steel cross-member with welded-on brackets.
Table top of a LIGNOpal (melamine-resin), veneered or linoleum covered chipboard with plastic or wooden edges.

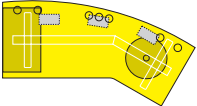
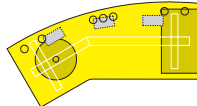
The corners are either square or rounded.

Electrification (optional) is provided 1.) by means of push-on plastic cable clips or 2.) in the side segment by a fabric trough which is hinged on both sides.

Cable outlets (optional) are achieved 1.) through a maximum of 4 metal outlets or 2.) by means of an E-Box for power and data connections, in each case on the left, in the middle and on the right.

Supporting element (refer to table for position) consists of a post of powder-coated steel with disc foot (stainless-steel cover) and a docking position for a free-standing pedestal.

The following material groups are available to choose from: Frame made of steel tube: M2; Top made of LIGNOpal-plastic/beechn: L6; Top made of linoleum: L8; Top veneered: F1.

...-STVC ...-VCST			
L: Supporting post with disc foot R: prepared for free-standing pedestal	d = 35½ / 31½		21567
L: prepared for free-standing pedestal R: Supporting post with disc foot	d = 31½ / 35½		21566
	Monitor position	on the left / on the right	
	h =	28¾	
	w =	90¼	