



PRODUCT INFORMATION S901-KeilPla-SVVC_TY_US - 06.12.2016 - www.vs-furniture.com

Series 901 Wedge-shaped table with post with V-shaped foot, free-standing pedestal.

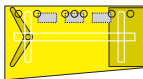
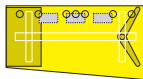
Construction with a tubular-steel cross-member positioned parallel to the back edge with welded-on brackets. Table top of a LIGNOpal (melamine-resin), veneered or linoleum covered chipboard with plastic or wooden edges. The corners are either square or rounded. Optional sliding top.

Electrification (optional) is provided 1.) by means of push-on plastic cable clips or 2.) by a fabric trough which is hinged on both sides.

Cable outlets (optional) are achieved 1.) through a maximum of 4 metal outlets or 2.) by means of an E-Box for power and data connections, in each case on the left, in the middle and on the right.

Supporting element (refer to table for position) consists of a post with V-shaped foot of powder-coated steel and a docking position for a free-standing pedestal.

The following material groups are available to choose from: Frame made of steel tube: M2; Top made of LIGNOpal-plastic/beech: L6; Top made of linoleum: L8; Top veneered: F1.

...-SVVC ...-VCSV	The table heights printed light grey are not possible with the listed supporting elements.		
L: Supporting post with V-shaped foot R: prepared for free-standing pedestal	d = 33½ / 27⅞ d = 37⅞ / 31½	21540 21544	
L: prepared for free-standing pedestal R: Supporting post with V-shaped foot	d = 33½ / 27⅞ d = 37⅞ / 31½		21541 21545
	Monitor position	on the left	on the right
	h =	28⅜	
	w =	70⅞	