



PRODUCT INFORMATION S901-KeilPla-SVVS_TY_US - 06.12.2016 - www.vs-furniture.com

Series 901 Wedge-shaped table with post with V-shaped foot, sideboard.

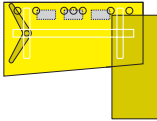
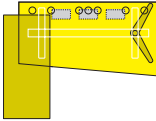
Construction with a tubular-steel cross-member positioned parallel to the back edge with welded-on brackets. Table top of a LIGNOpal (melamine-resin), veneered or linoleum covered chipboard with plastic or wooden edges. The corners are either square or rounded. Optional sliding top.

Electrification (optional) is provided 1.) by means of push-on plastic cable clips or 2.) by a fabric trough which is hinged on both sides.

Cable outlets (optional) are achieved 1.) through a maximum of 4 metal outlets or 2.) by means of an E-Box for power and data connections, in each case on the left, in the middle and on the right.

Supporting element (refer to table for position) consists of a post with V-shaped foot of powder-coated steel and a docking position for a sideboard. Optional step height adjustment of the post.

The following material groups are available to choose from: Frame made of steel tube: M2; Top made of LIGNOpal-plastic/beech: L6; Top made of linoleum: L8; Top veneered: F1.

| | | | |
|--|--|--|---|
| ...-SVVS ...-VSSV | The table heights printed light grey are not possible with the listed supporting elements. |  |  |
| L: Supporting post with V-shaped foot R: prepared for sideboard | d = 33½ / 27⅞ d = 37⅞ / 31½ | 21540 21544 | |
| L: prepared for sideboard R: Supporting post with V-shaped foot | d = 33½ / 27⅞ d = 37⅞ / 31½ | | 21541 21545 |
| | Monitor position | on the left | on the right |
| | h = | 28⅞ (26¾-31½) | |
| | w = | 70⅞ | |